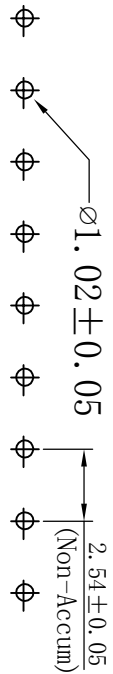


Type	可定制尺寸
H	2.54
PA	6.0
PD	11.0
PC	3.0

Plastic Base



PCB Layout

未注公差 UNLESS OTHERWISE SPECIFIED TOLERANCE	
线性 (LINER)	角度 (ANGLES)
x ± 0.20	x' ± 1°
.xxx ± 0.15	.xxx' ± --
.xxx ± 0.10	.xxx' ± --
第三视角投影 THIRD ANGLE PROJECTION	

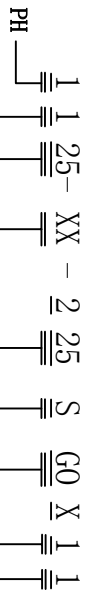
品名 (TITLE):		PH2.54 1*NIP 180° DIP 双塑 系列图	
绘图 (DRAWING)	Suzhujing	料号(PART NO.):	1125-XX225S00X-11
审核 (CHECK)	Col Wong	图号(DWG NO.):	
核准 (APPROVED)	<i>Andy Wang</i>	比例 (SCALE)	1:1
日期 (DATE)		单位 (UNIT)	MM
		页次 (SHEET)	10F1



A4

Specifications:
 Current Rating: 3 Amp
 Voltage Rating: 250V AC/DC
 Contact resistance: 20m Ohm Max
 Insulator resistance: 1000M ohm min.
 Withstanding Voltage: 500V AC/Minute
 Operating Temperature Range: -25° ~ +105° C
 Material And Finish
 Insulator: Polyester, (PBT UL94V-0)
 Insulator Color: Black
 Contact: Brass
 Contact Plated: See Contact Plated Tab.

Ordering information

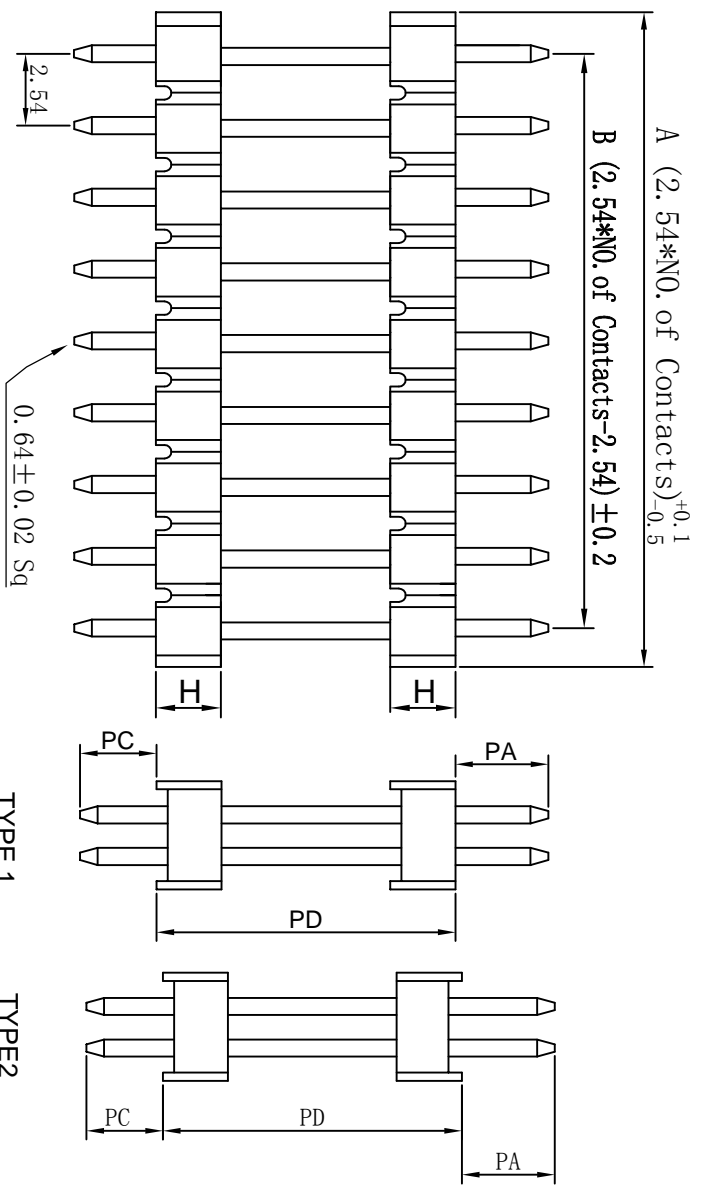
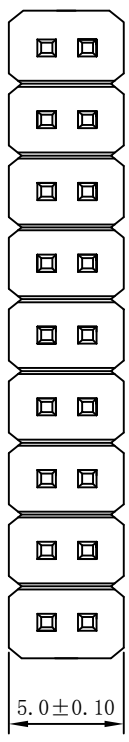


- NO. of Rows Pitch:
 1. Single 1.08±0.0mm (1-40P)
 2. Double 2.10±1.0mm
 3. 12±1.27mm
 4. 20±2.0mm
 5. 25±2.54mm

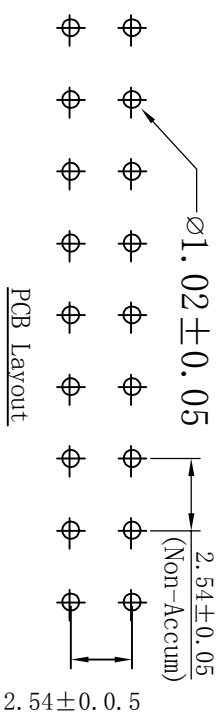
- NO. of PIN: Plastic Height: Winding:
 10±1.0mm S: 180
 15±1.0mm R: 90
 16±1.0mm M: 90
 17±1.0mm W: 90SMT
 25±2.54mm 5: 1CP

- Plastic: Packaging:
 1. 1000 2: Tube
 3. 1000 3: 1000
 4. 1000 4: 1000
 5: 1CP

Gold Plated	Standard	Shielding	RoHS	Pin Type
Special Color	Special Finish	Special Type	Special Material	Special Description
Q1	Board 10"	1-11	Board 10"	Th. 1000"
Q2	Board 20"	1-2	Board 20"	Th. 1000"
Q3	Board 30"	1-3	Board 30"	Th. 1000"
Q4	Board 50"	1-4	Board 50"	Th. 1000"
Q5	Board 100"	1-5	Board 100"	Th. 1000"
Q6	Board 150"	1-6	Board 150"	Th. 1000"
Q7	Board 200"	1-7	Board 200"	Th. 1000"

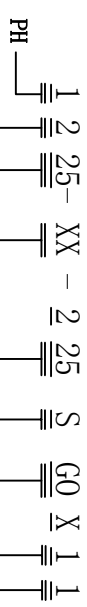


Type	可定制尺寸
H	2.54
PA	6.0
PD	15.0
PC	3.0



Specifications:
 Current Rating: 3 Amp
 Voltage Rating: 250V AC/DC
 Contact resistance: 20m Ohm Max
 Insulator resistance: 1000M ohm min.
 Withstanding Voltage: 500V AC/Minute
 Operating Temperature Range: -25° ~ +105° C
 Material And Finish
 Insulator: Polyester, (PBT U94V-0)
 Insulator Color: Black
 Contact: Brass
 Contact Plated: See Contact Plated Tab.

Ordering information



NO. of Rows: 1 Single 1.08±0.0mm
 2 Double 2.10±1.0mm
 3.12±1.27mm
 4.20±2.0mm
 5.25±2.54mm

No. of PIN: Plastic Height: 10±1.0mm
 (2-60P) 15±1.0mm
 40-40P R:90
 16±1.0mm
 17±1.7mm
 25±2.54mm

Plastic Packaging: Material: 13Bag
 1794g 2130g
 3294g 3794g
 4394g 4794g

Sold Pack	Package Type	Quantity	Part No.
G0	Board Form	10	The 1000*
G1	Board 10"	10	The 1000*
G2	Board 20"	5	The 1000*
G3	Board 30"	5	The 1000*
G4	Board 50"	5	The 1000*
G5	Board 100"	5	The 1000*
G6	Board 150"	5	The 1000*
G7	Board 200"	5	The 1000*



品名(TITLE): PH2.54 2*NP 180° DIP 双塑 系列图 **A4**

线性(LINER)	角度(ANGLES)	未注公差 UNLESS OTHERWISE SPECIFIED TOLERANCE	第三视角投影 THIRD ANGLE PROJECTION
x ± 0.20	x' ± 1'		
.xx ± 0.15	.xx' ± --		
.xxx ± 0.10	.xxx' ± --		
日期 (DATE)	审核 (APPROVED)	绘图 (DRAWING)	第三视角投影 THIRD ANGLE PROJECTION
	日期 (DATE)	审核 (CHECK)	
		绘图 (DRAWING)	
		审核 (CHECK)	
		绘图 (DRAWING)	
		审核 (CHECK)	